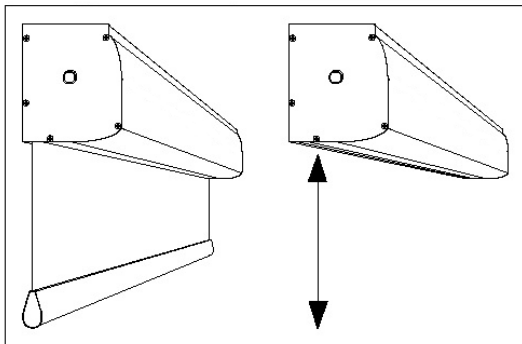
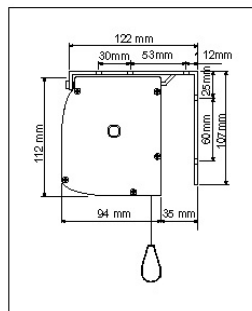


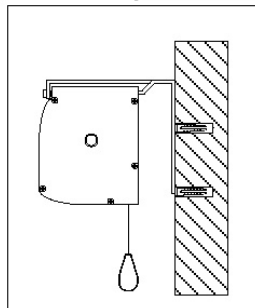
Concealing counterweight



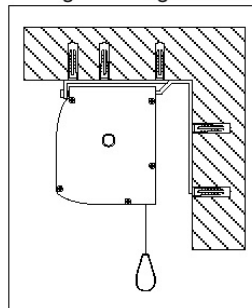
Cabinet dimensions



Wall Mounting

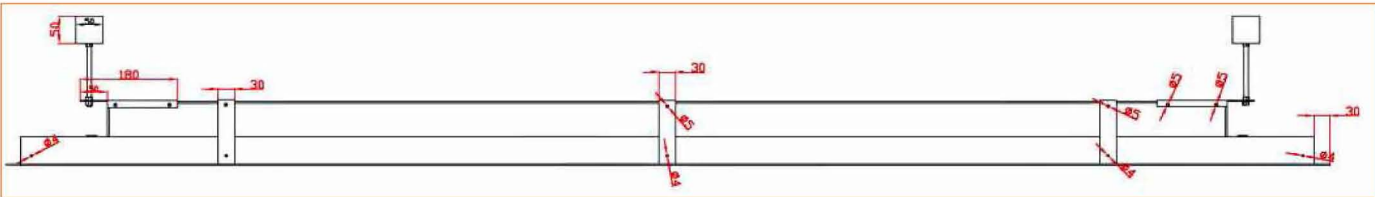
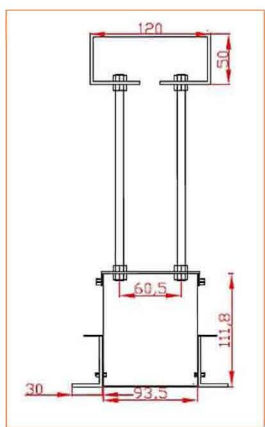
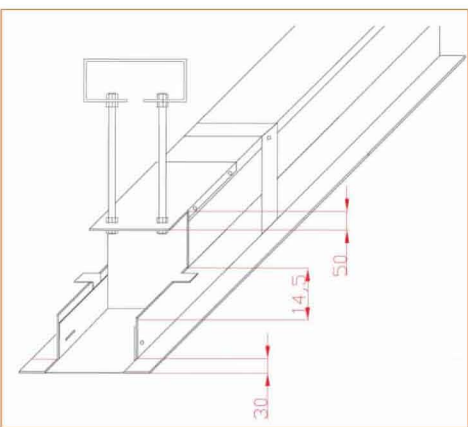


Ceiling Mounting



**Motor characteristics**

Power: 6 Nm  
 Speed: 17 rpm  
 Power supply: 230V / 50 Hz  
 Consumption: 90 W  
 Certification: IMQ



\* Alle Angaben in Millimeter